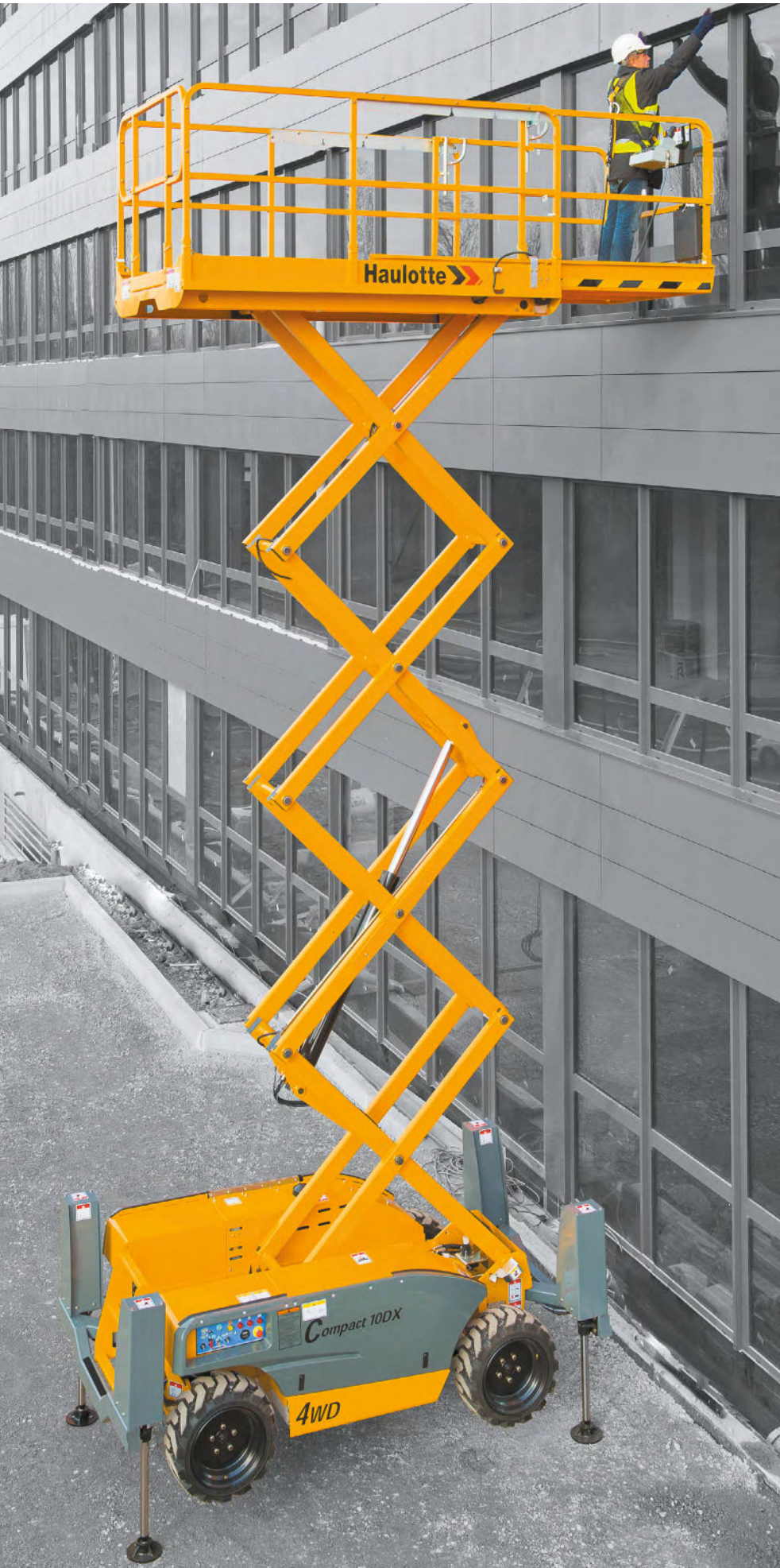


ROUGH TERRAIN SCISSOR LIFTS



COMPACT 10 / 12 DX



OUTSTANDING ROUGH TERRAIN DRIVING FEATURES

- > 4 wheel drive
- > Automatic differential lock
- > Excellent gradeability (40 %)
- > Ground clearance of 28 cm

ROBUST AND EASY TO MAINTAIN

- > Outriggers positioned within the machine footprint
- > Durable and reliable upper control box
- > Optimized accessibility to components
- > Built-in diagnostic tool

EXCEPTIONAL PRODUCTIVITY

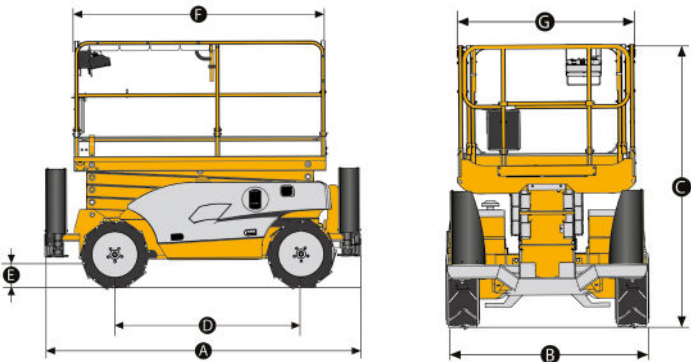
- > Fully proportional controls
- > Narrow turning radius
- > One switch to deploy and retract 4 outriggers

COMPACT 10 / 12 DX

ROUGH TERRAIN SCISSOR LIFTS

TECHNICAL DATA

| | COMPACT 10 DX | COMPACT 12 DX |
|--------------------------------|---------------------------------|---------------------------------|
| Working height | 10.28 m | 12.06 m |
| Platform height | 8.28 m | 10.06 m |
| Lift capacity | 565 kg (3 pers.) | 450 kg (3 pers.) |
| Lift capacity on the extension | 150 kg | 150 kg |
| A Length | 3.17 m | 3.17 m |
| B Width | 1.78 m | 1.78 m |
| C Height - stowed | 2.44 m | 2.56 m |
| Storage height | 1.59 m | 1.7 m |
| F Platform length | 2.45 m | 2.45 m |
| Extended platform length | 3.7 m | 3.7 m |
| Platform extension length | 1.2 m | 1.2 m |
| G Platform width | 1.45 m | 1.45 m |
| D Wheelbase | 1.84 m | 1.84 m |
| E Ground clearance | 28 cm | 28 cm |
| Number of extensions | 1 | 1 |
| Drive speed | 0.8 - 5.5 km/h | 0.8 - 5.5 km/h |
| Maximum drive height | 8.15 m | 8.15 m |
| Turning radius - outside | 3.5 m | 3.5 m |
| Lift / lower speed | 35 s / 46 s | 35 s / 51 s |
| Engine | Kubota, 18.5 kW (Stage 5 in EU) | Kubota, 18.5 kW (Stage 5 in EU) |
| Gradeability | 40 % | 40 % |
| Tyres - foam-filled | 26 x 12 - 16.5 | 26 x 12 - 16.5 |
| Hydraulic system capacity | 75 l | 75 l |
| Weight | 3 520 kg | 4 110 kg |



STANDARD EQUIPMENT

- > 4 wheel drive, 2 wheel steer
- > Brake release
- > Foam filled all terrain tyres
- > 1.2 m platform extension
- > Removable operator's control box
- > 3° tilt alarm
- > Automatic levelling outriggers
- > Horn
- > Hourmeter
- > 12 V - 74 Ah batteries
- > Hydraulic brakes
- > Kubota engine
- > Manual platform lowering valve
- > Lanyard attachment points
- > Towing hooks
- > Side shields

OPTIONS AND ACCESSORIES

- > Non marking tyres (standard in AUS / NZ)
- > 240 V power to the platform
- > Swing-door gate (standard in AUS / NZ)
- > Hydraulic generator 3.5 kW
- > Biodegradable oil
- > Cold Weather Package
- > Telematics ready
- > Motion alarm for movements and translation
- > Travel alarm (standard in AUS / NZ)
- > Rotating beacon (standard in AUS / NZ)
- > Working light
- > Foldable guard-rails

